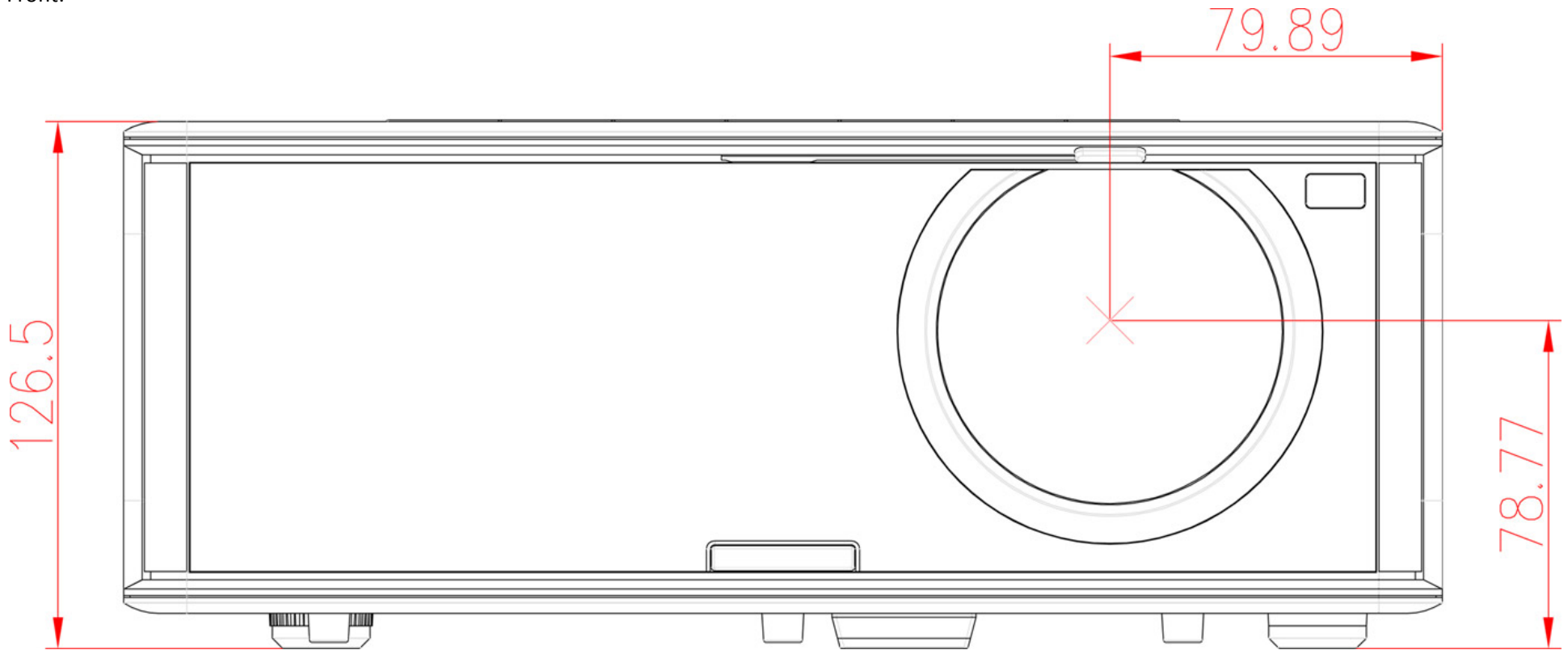


# InFocus

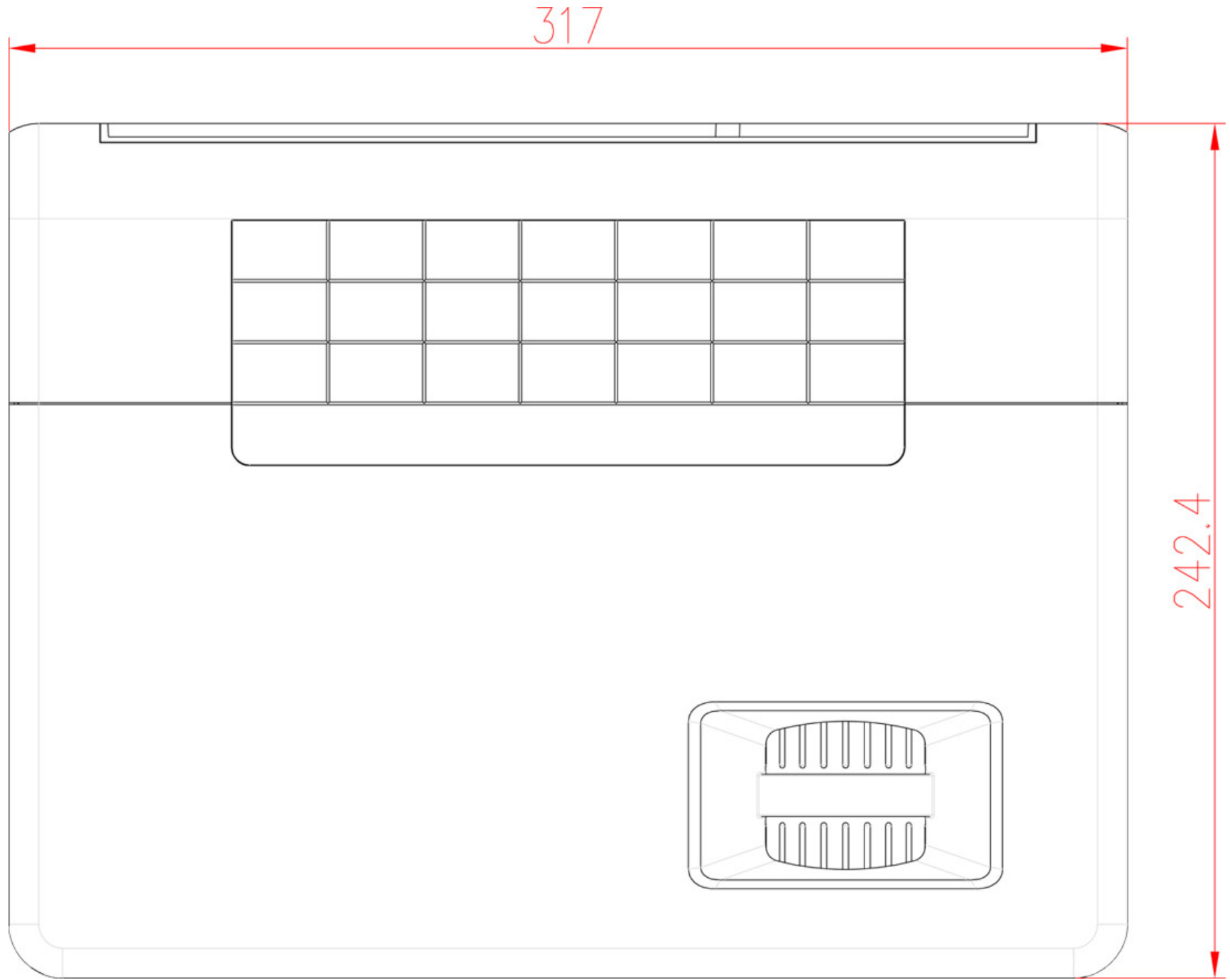
## Dimensional Drawing

Product	.....	IN2112, IN2114, IN2116, IN3114 & IN3116
Title	.....	Dimensional Drawing
Date	.....	01-February-2010

All Measurements in millimeters.  
Front:



Top:



Bottom:

