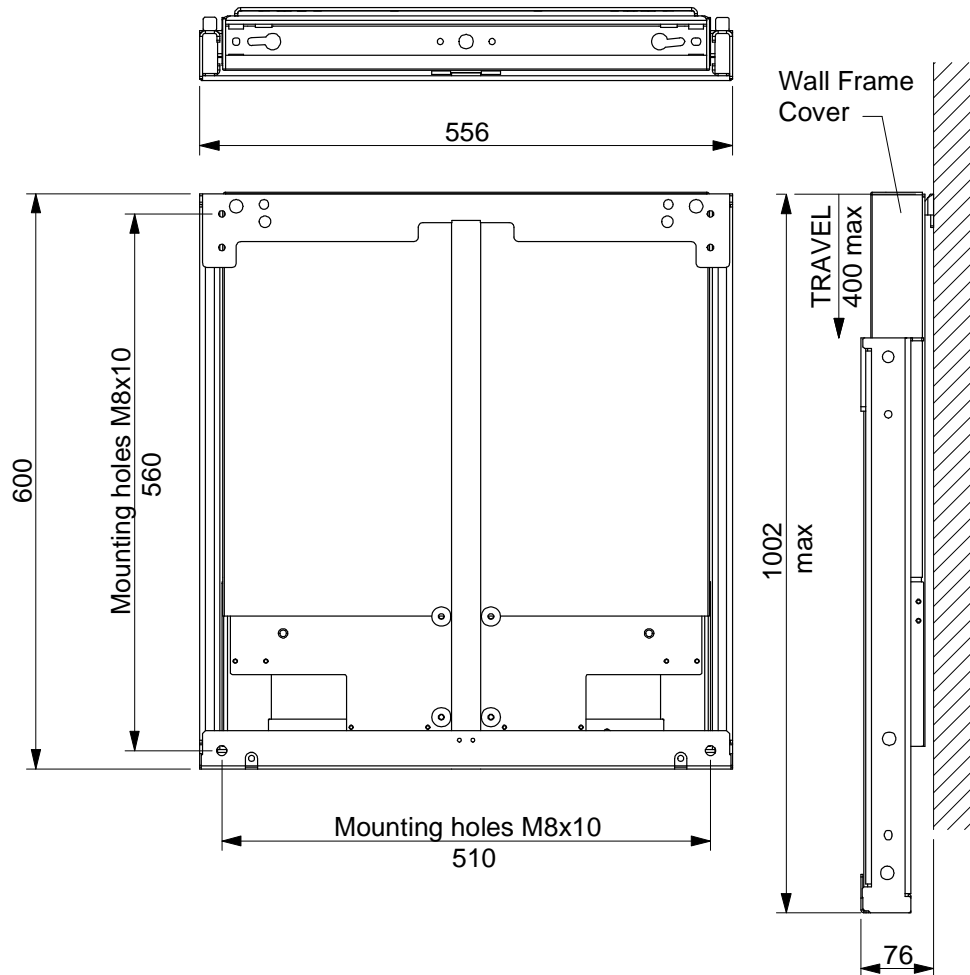


Dimensions:



Included in the package:

- Balancebox 400 and multi-language manual
- Wall mounting bracket
- Brushed stainless steel wall frame cover and fasteners.

Not included (required for installation):

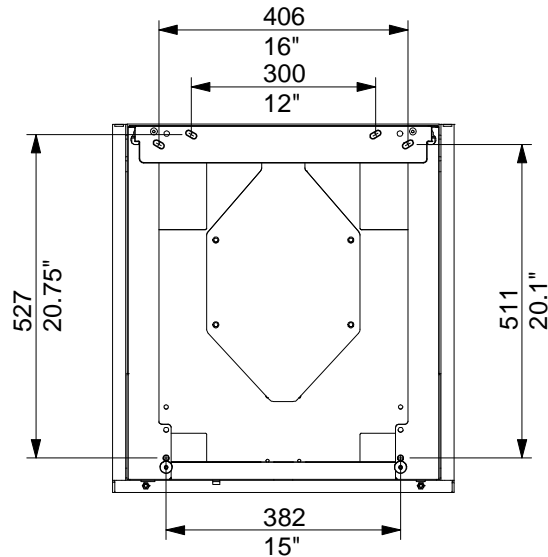
- 13 mm hex socket
- Flatscreen mounting interface for Balancebox 400
- Fasteners for wall mounting (depending on the situation)

For screen weights from 91 Kg (200 Lbs) – 175 Kg (385 Lbs) please choose **BalanceBox® 650**





Mounting hole dimensions:



BalanceBox® 400 Selection guide by screen weight

metric		US / imperial		units	Order nr.	Choose BalanceBox®	Accessory for mounting
from	to	from	to				
<20		<44		lbs		n.a.	
20	38	44	83,6	lbs	480A03	BalanceBox® 400-40	481A21 Flatscreen Mounting Interface
38	66	83,6	145,2	lbs	480A02	BalanceBox® 400-70	481A21 Flatscreen Mounting Interface
66	90	145,2	198	lbs	480A04	BalanceBox® 400-90	481A21 Flatscreen Mounting Interface
>91		>200		lbs		Choose BalanceBox® 650	

Part numbers

Balancebox 400	Description	weight range
480A03	Balancebox 400-40	23-43 kg (50.6-94.6 lbs)
480A02	Balancebox 400-70	41-70 kg (90.2-154 lbs)
480A04	Balancebox 400-90	66-95 kg (145.2-209 lbs)

Accessories for Balancebox 400

Accessories for Balancebox 400	Description	product weight
481A21	Balancebox 400 Flatscreen mounting interface	4,2 kg (9.2 lbs)
481A17	Balancebox 400 Floor support	8 kg (17.6 lbs)
481A34	Balancebox 400 Universal Tilt Frame 60° (available 01-01-2014)	25 kg (55 lbs)
481A31	Balancebox 400 Mobile stand	38 kg (83.6 lbs)

Weights & dimensions	Width mm	Height mm	Depth mm	Weight kg	Width inch	Height inch	Depth inch	Weight lbs
Shipping dimensions	610	655	95	22,5	24	25.75	3.75	49.5
Product dimensions	558	600	74	22	22	23.6	2.9	48.5
Material	Steel frame, zinc plated for corrosion resistance, stainless steel brushed wall frame cover							

The information in this leaflet can be subject to changes.